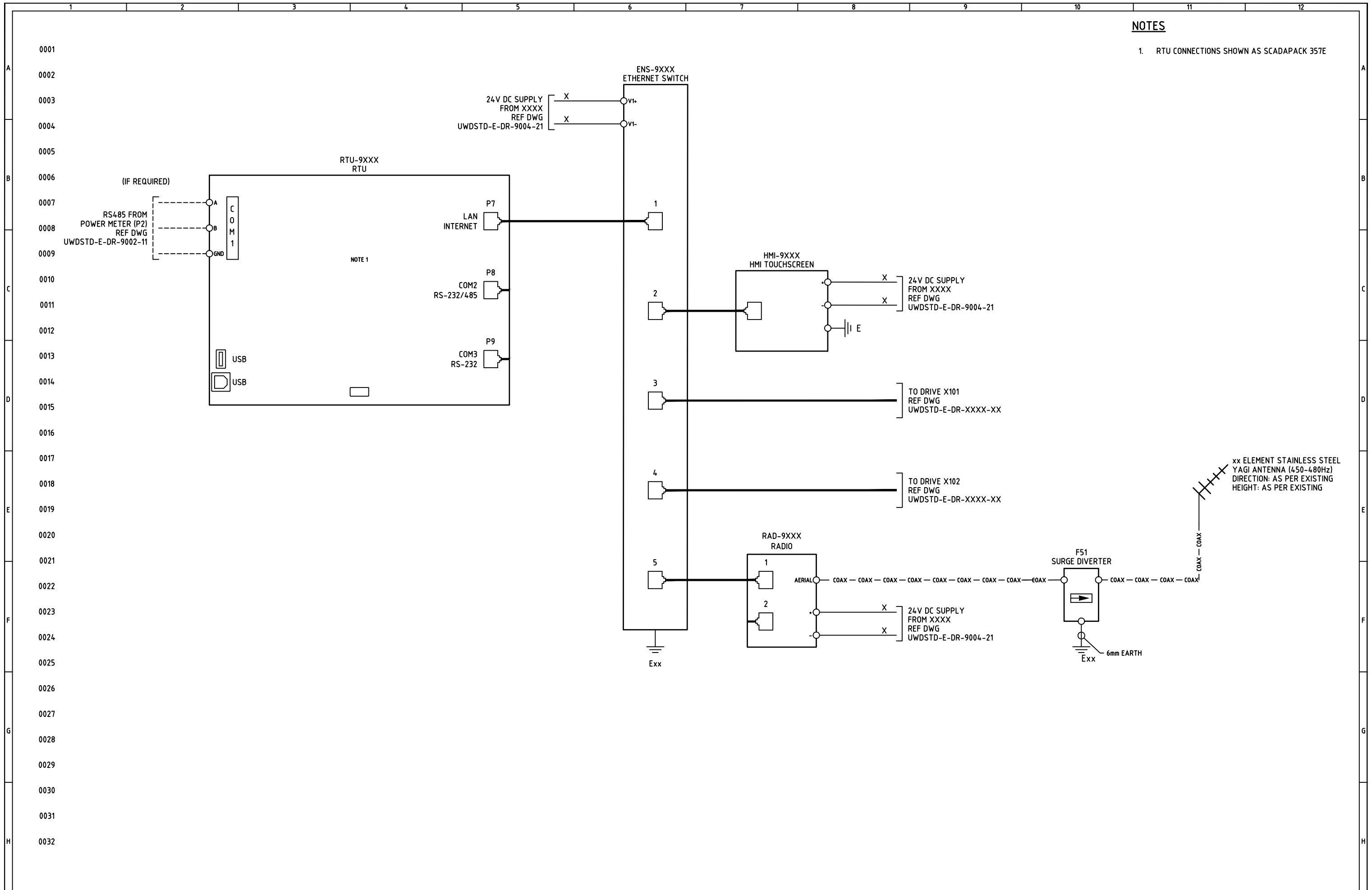


NOTES

1. RTU CONNECTIONS SHOWN AS SCADAPACK 357E



A3								Unitywater		PROJECT NUMBER	IFXXXXXX
								STANDARD ELECTRICAL DRAWING NETWORK SITES - CONTROL SYSTEM NETWORK COMMUNICATIONS DIAGRAM		REVISION DATE	20.09.23
								DISCIPLINE CODE		E	REVISION
REV	DATE	DESCRIPTION OF CHANGE	DRAWN	DESIGNED	REVIEWED	APPROVED	COMPANY	DRAWING NO. UWDSTD-E-DR-9011-41			
0	20.09.23	ISSUED FOR USE	YV	TGS	TGS	TGS	UNITYWATER				